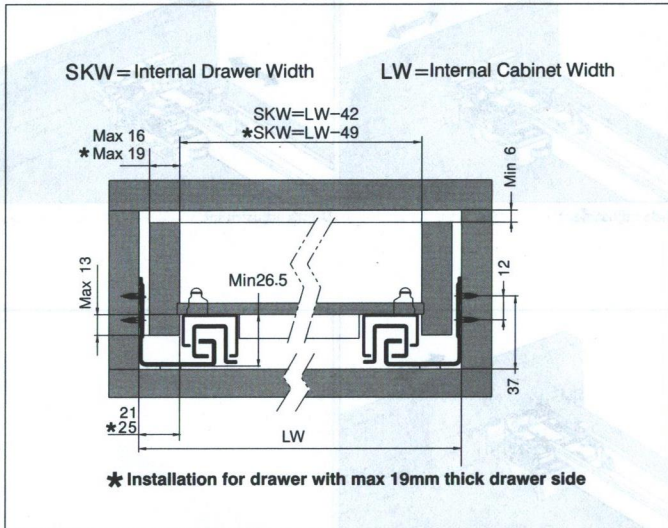
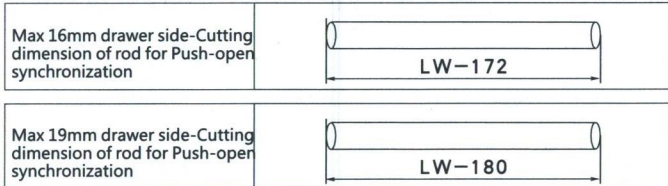


Full extension undermount slides installation

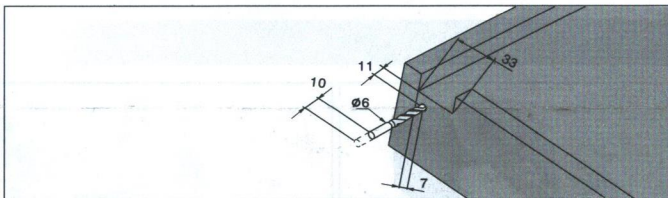
16mm/19mm Drawer installation dimensions(with locking device)



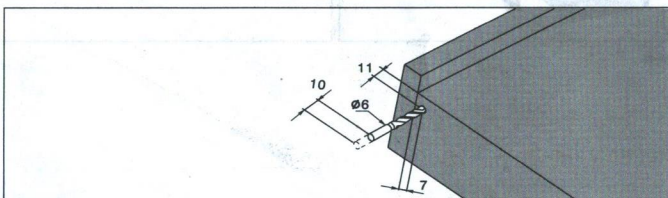
Cutting dimension of rod for Push-open synchronization (mm)



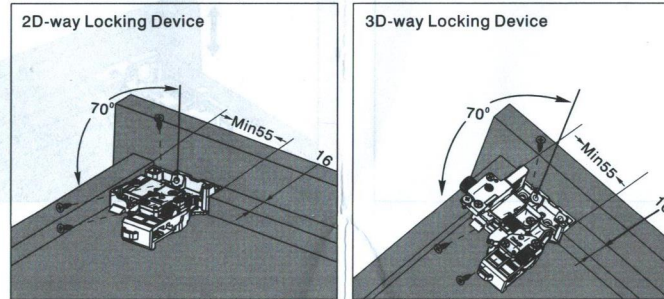
Soft-closing drawer back preparation



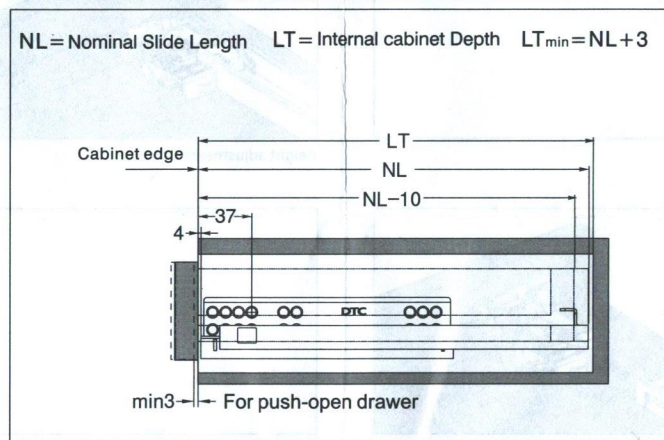
Push-open drawer back preparation



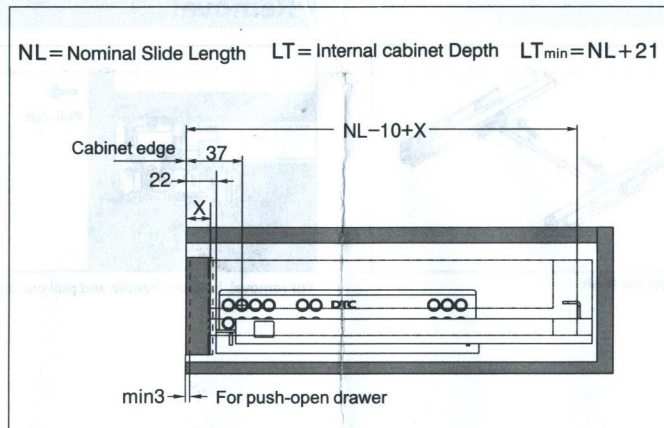
Locking device installation



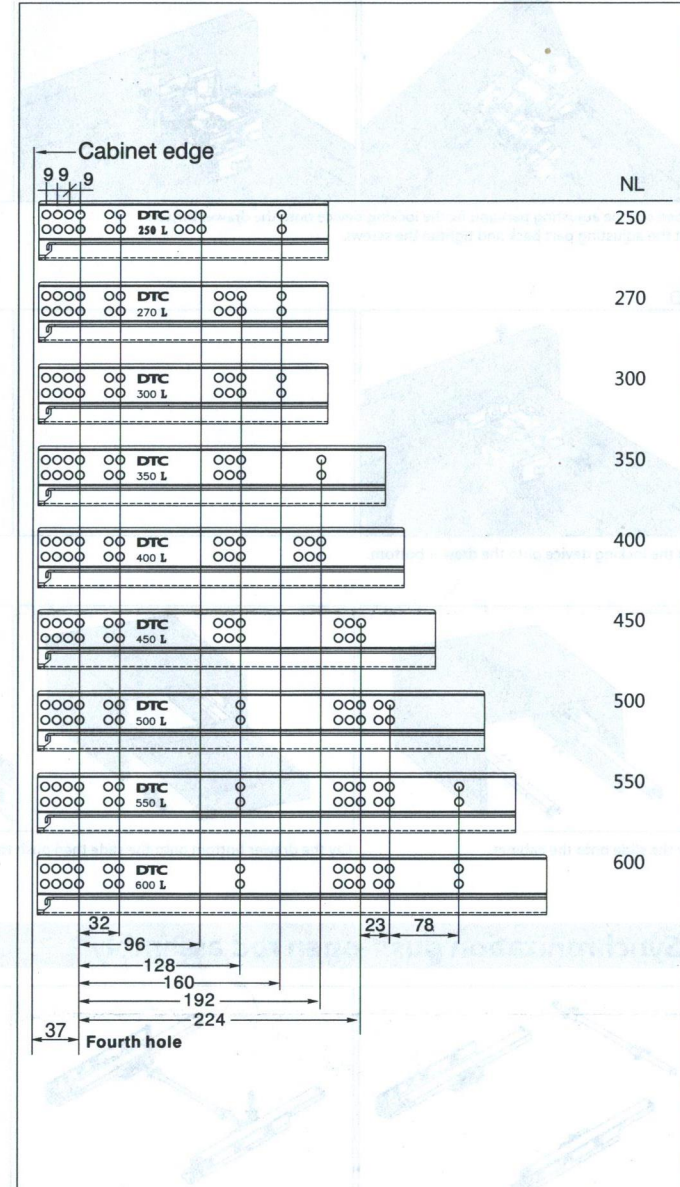
Standard Drawer installation dimensions



Inner drawer installation dimensions



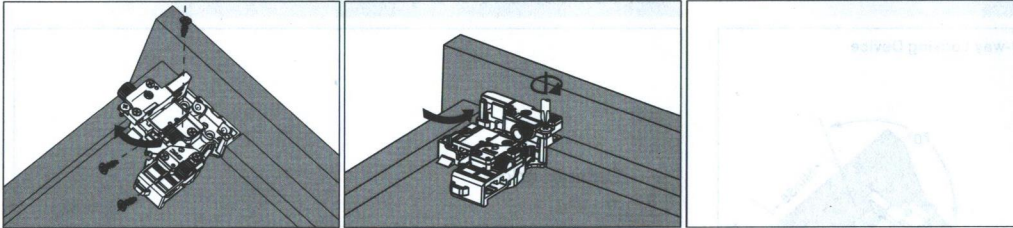
Screw Positions of the Slides



Guangdong Dongtai Hardware Precision Manufacturing Co., Ltd
 Tel.: +86(0)757-25332283 Fax: +86(0)757-25551876
 E-mail: dtc@dtcdtc.com Website: www.dtcdtc.com

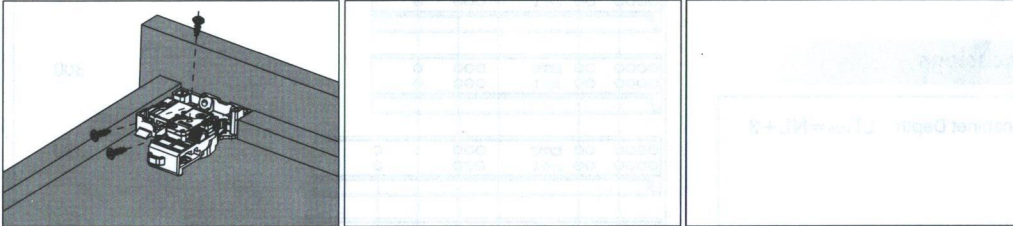
Drawer assembly

3D

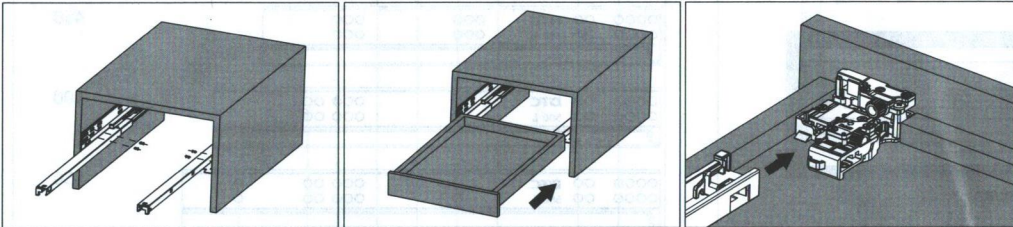


Move out the adjusting part and fix the locking device onto the drawer bottom.
Put the adjusting part back and tighten the screws.

2D



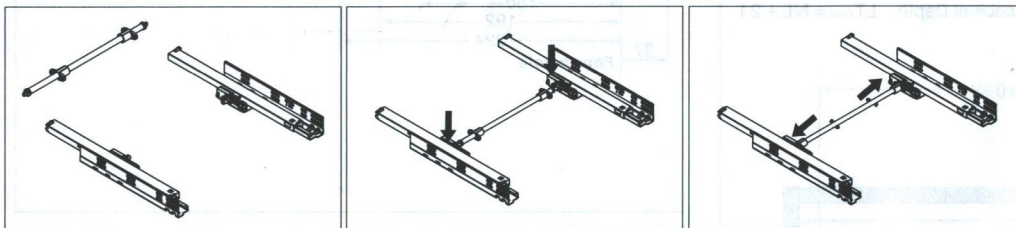
Fix the locking device onto the drawer bottom.



Fix the slide onto the cabinet.

Lay the drawer bottom onto the slide then push the drawer into the cabinet.

Synchronization push-open rod assembly



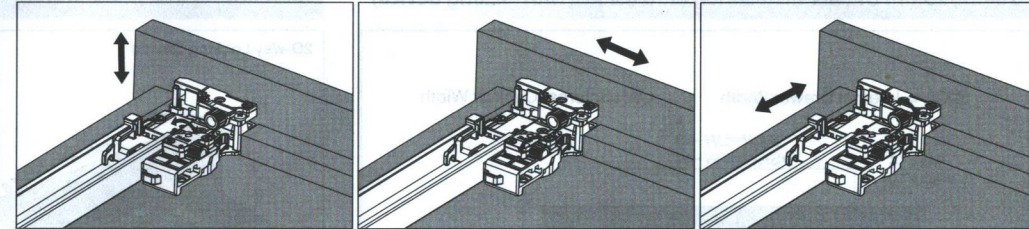
Cut the rod

Snap the rod into push-open device on the slide

Screw on and finish

Adjustments

3D

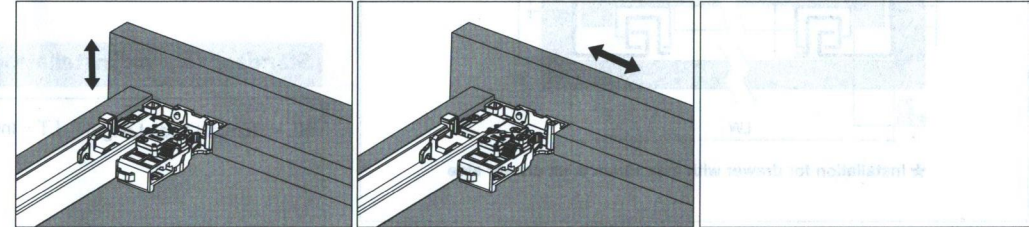


height adjustment

Side adjustment

Depth adjustment

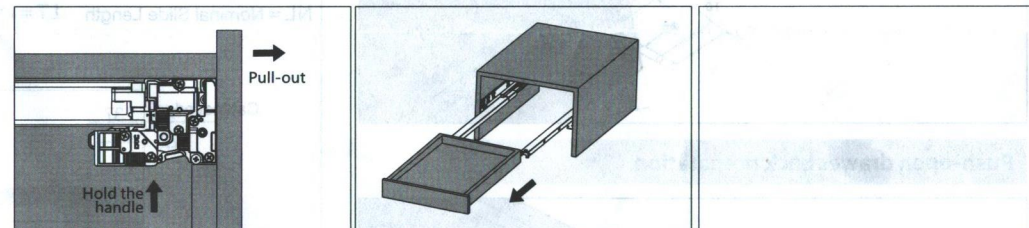
2D



height adjustment

Side adjustment

Removal



For removal, hold the handle and pull out the drawer.